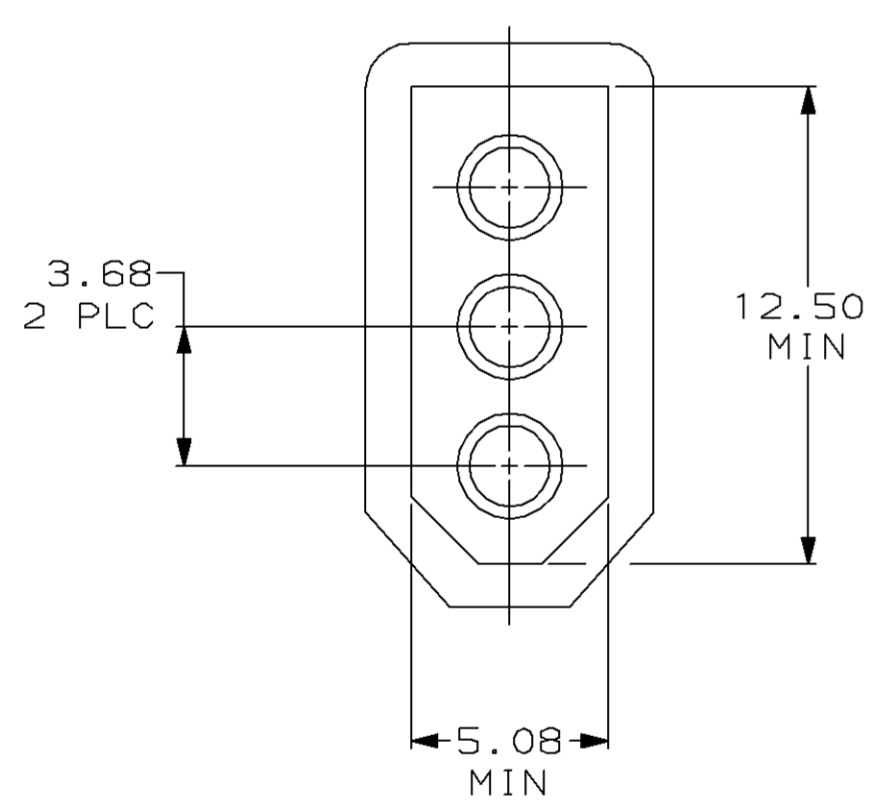
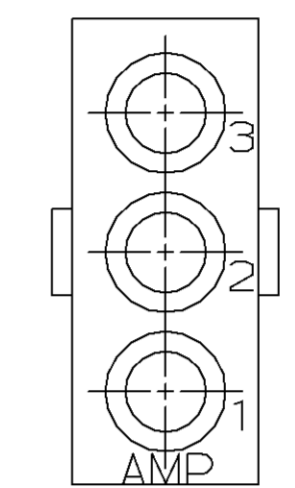
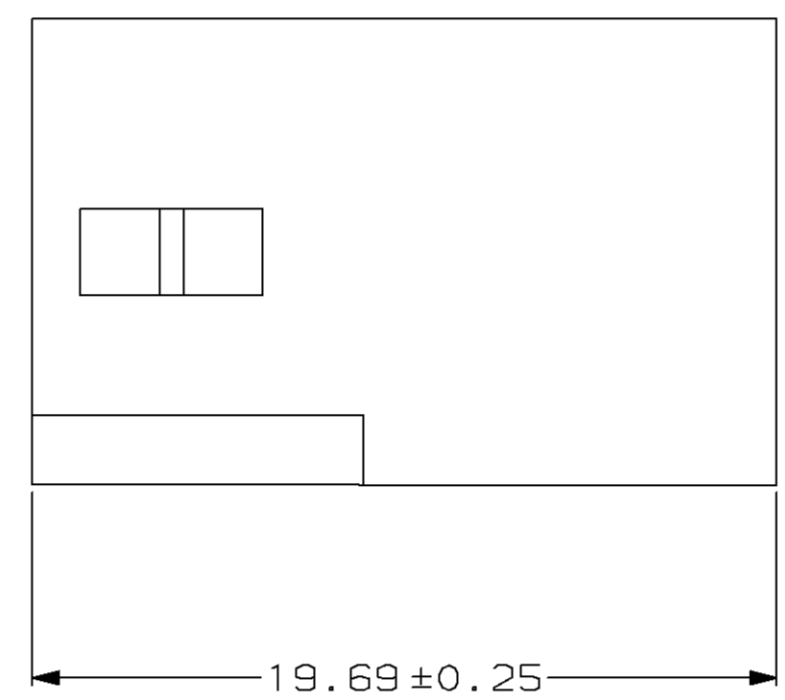
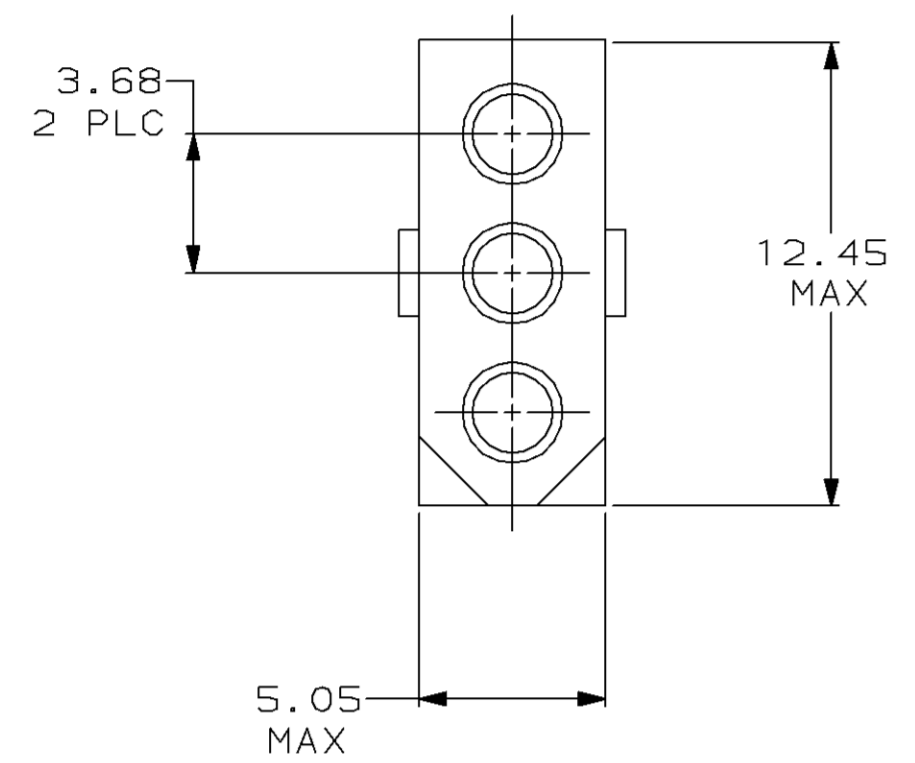
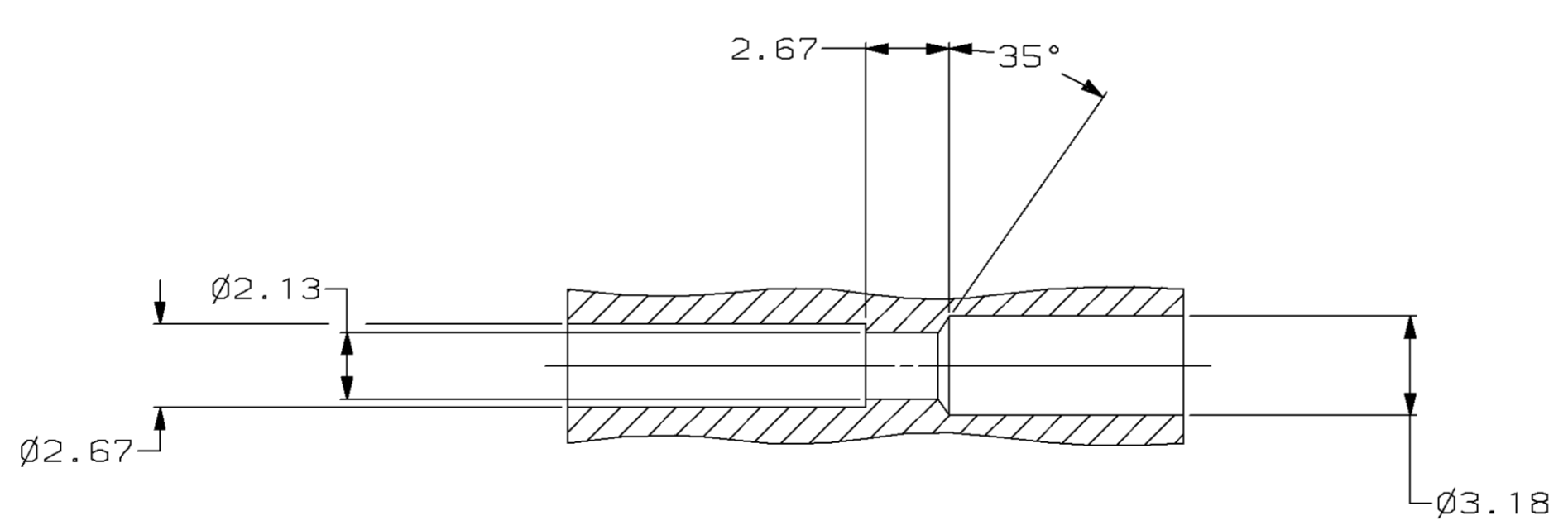


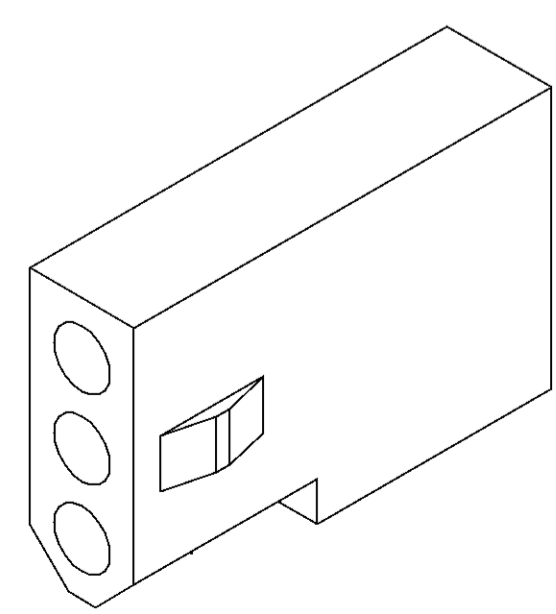
LOC		DIST		P		F		ZONE		LTR		REVISIONS		DATE	APPD	
CM	53												B	REV & REDWN PER CM-11	11-4-93	KW



MATING CONNECTOR INTERFACE



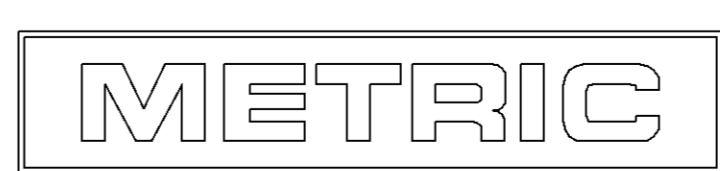
TYPICAL RECEPTACLE CAVITY SECTION
(DIMENSIONS REFERENCE ONLY)



3-DIMENSIONAL MODEL
NTS

3.18	.125	19.69	.775
2.67	.105	12.50	.492
2.13	.084	12.45	.490
1.57	.062	5.08	.200
0.25	.010	5.05	.199
0.13	.005	3.68	.145
MM	IN	MM	IN

CONVERSION TABLE



THIS DRAWING IS A CONTROLLED DOCUMENT FOR AMP INCORPORATED. IT IS SUBJECT TO CHANGE AND THE CONTROLLING ENGINEERING ORGANIZATION SHOULD BE CONTACTED FOR THE LATEST REVISION.

DO NOT SCALE PRINT. UNLESS SPECIFIED DIMENSIONS IN mm [INCHES] TOLERANCES ON : 2 PLC DEC ± 0.13 3 PLC DEC ± - ANGLES ± 1°0'		DR 11-4-93 K. WHITAKER	770333-1 PART NO		
MATERIAL NYLON, UL 94V-2 NATURAL	APPD 11-4-93 C. CASH	CHK 11-4-93 R. SWING	AMP Incorporated Harrisburg, PA 17105-3608		
FINISH -	APPD 11-4-93 C. CASH	APPD 11-4-93 C. CASH	RECEPTACLE, 3 CIRCUIT, .062 PIN AND SOCKET		
WEIGHT -	APPLICATION SPEC -	PRODUCT SPEC -	SIZE D	CAGE CODE 00779	DRAWING NO C-770333
			SCALE 5:1	SHEET 1 OF 1	